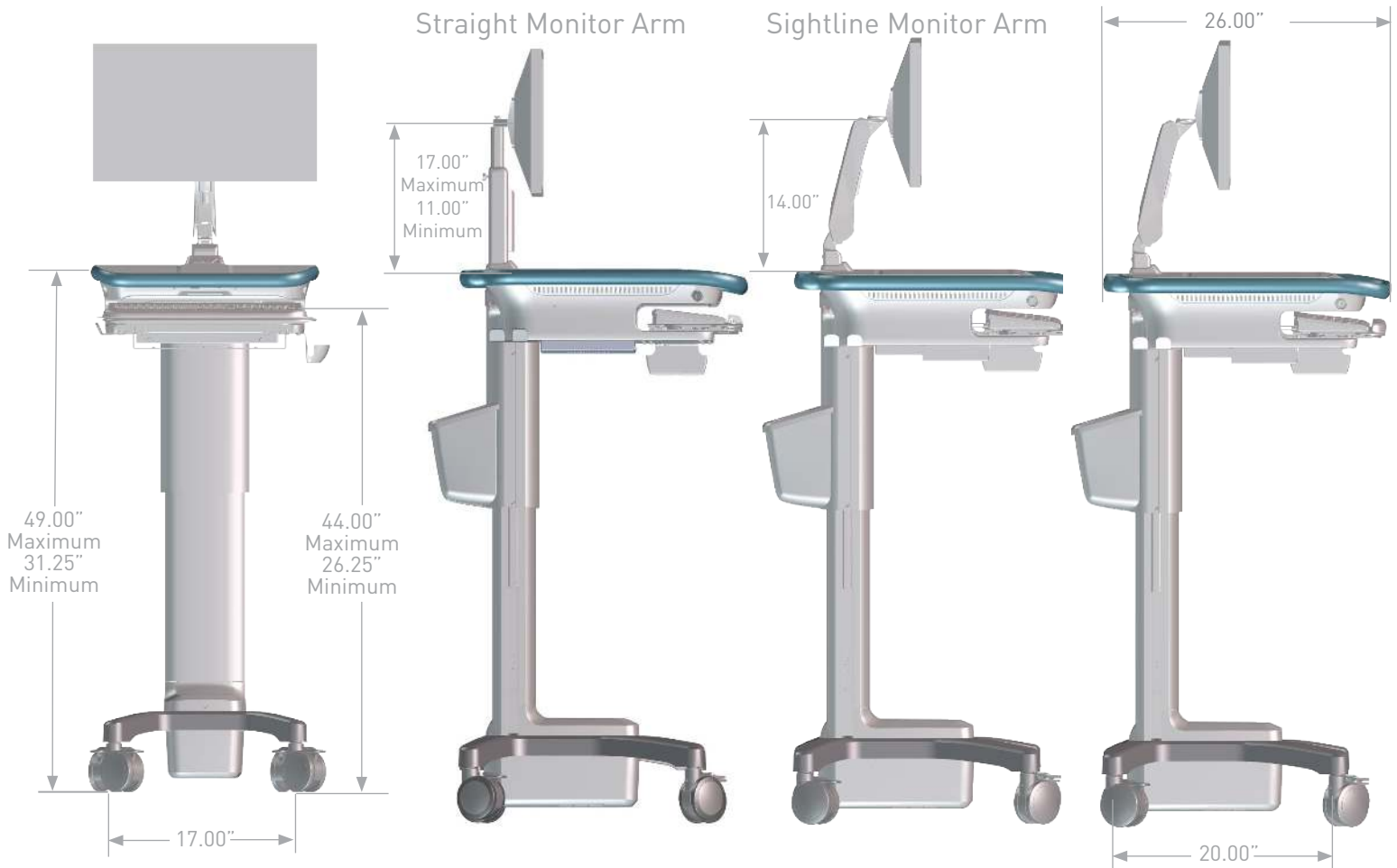
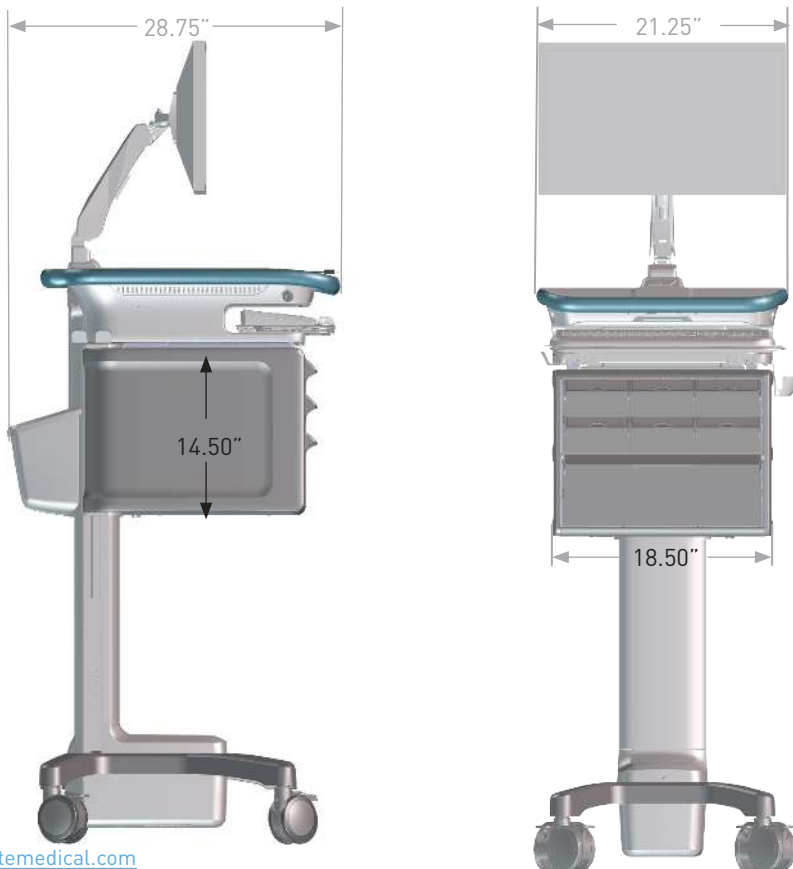


ENVOY SPECIFICATIONS - MOBIUSPOWER®

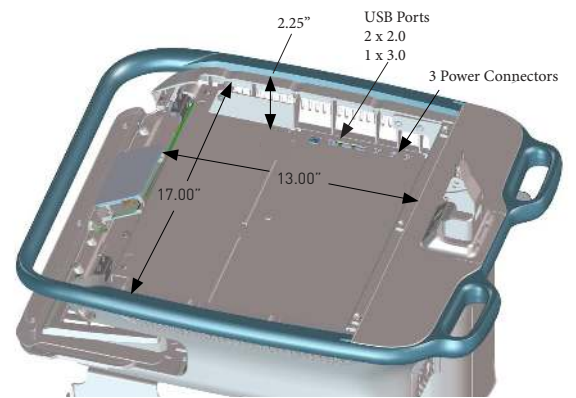
DIMENSIONS



DIMENSIONS WITH MED STORAGE MODULE

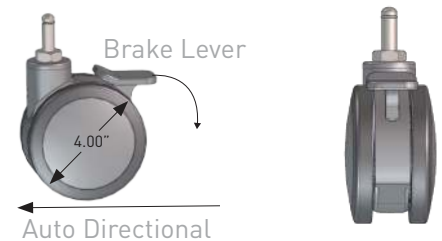


INTERNAL DESK SPACE



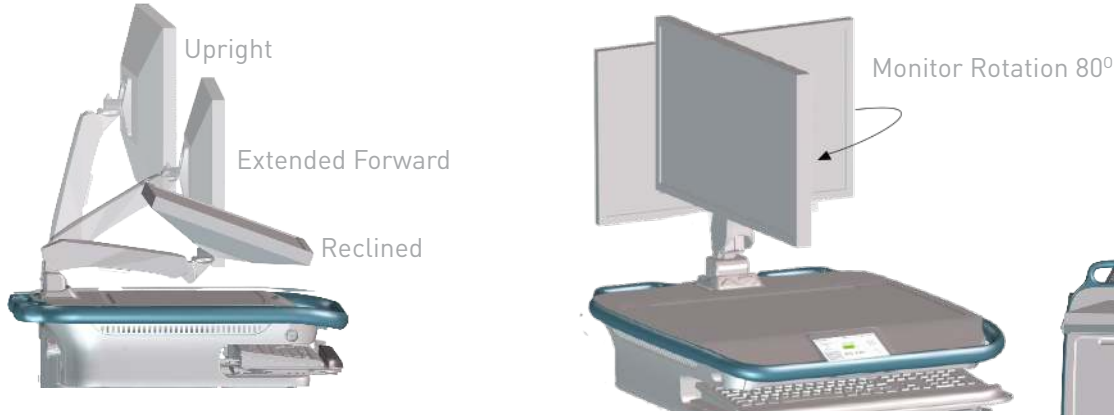
Designed to accommodate a 15" - wide Laptop

AUTOTRAX™ CASTERS

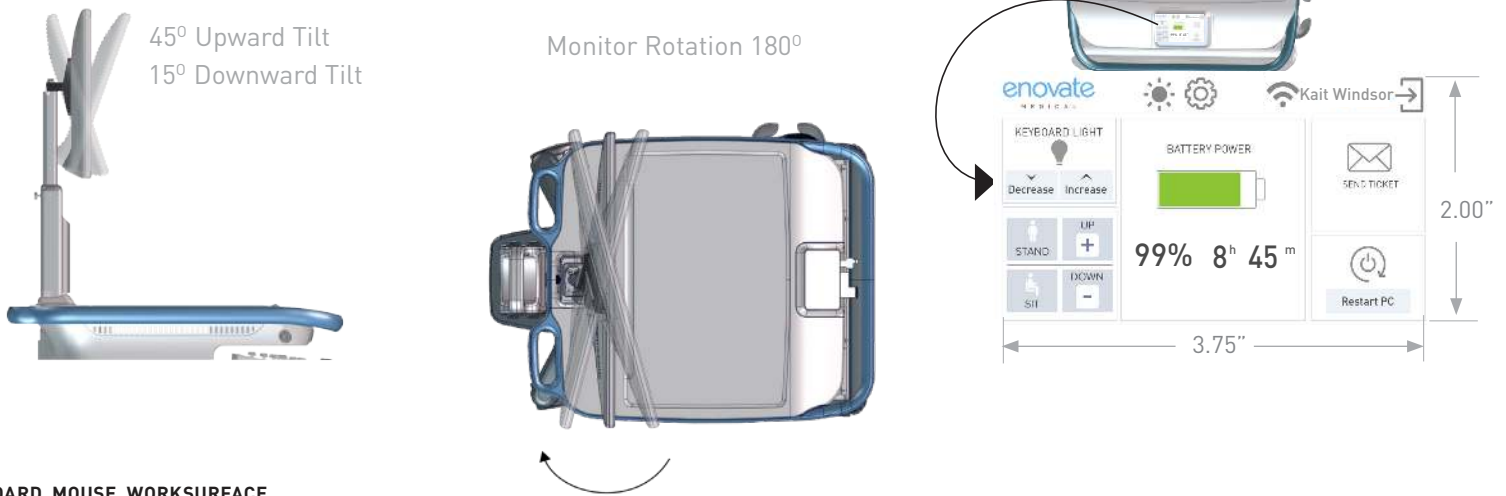


MONITOR

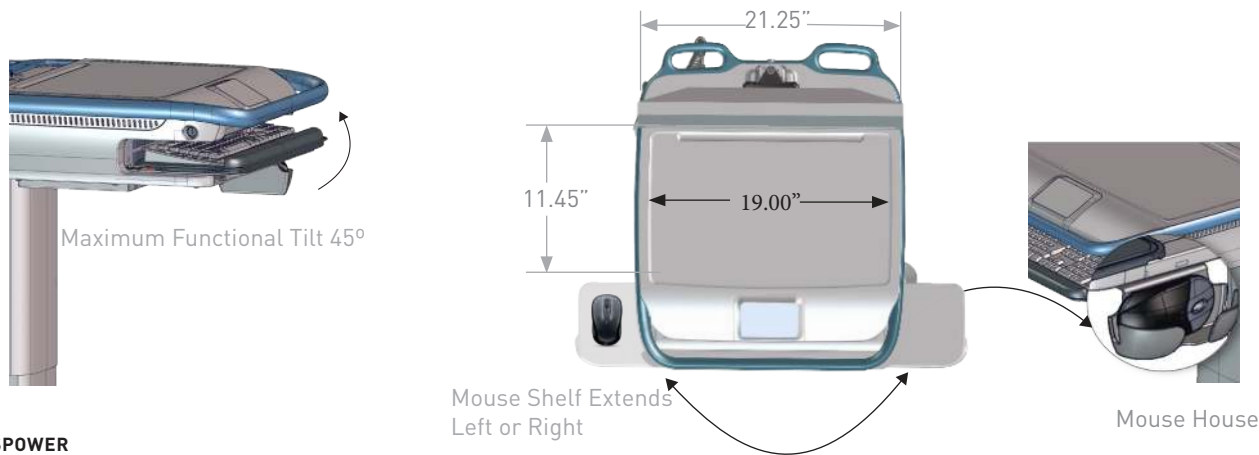
SIGHTLINE ARM MONITOR MOVEMENT



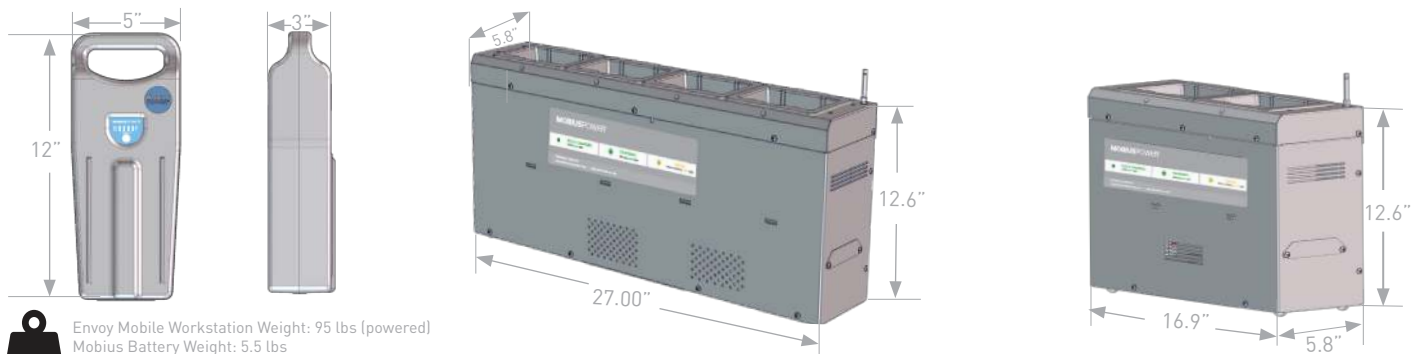
STRAIGHT ARM MONITOR MOVEMENT



KEYBOARD, MOUSE, WORKSURFACE



MOBIUSPOWER



Envoy Mobile Workstation Weight: 95 lbs (powered)
 Mobius Battery Weight: 5.5 lbs
 Monitor Pole Weight Limit: 16lbs

www.enovatemedical.com