

# CyberMed S15

## 15.6" Fanless Medical Computer



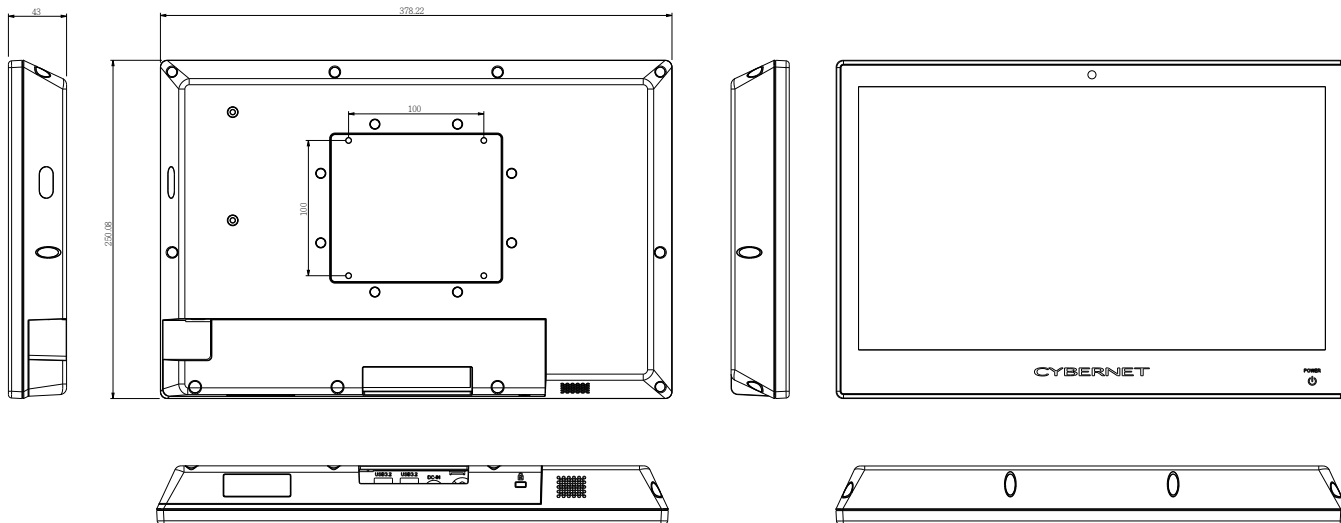
## Main Features

- 15.6" LCD Panel
- PCAP Multi-Touch Display
- IP65 Rated
- Global IEC60601-1 Certified
- Fanless Design
- Antimicrobial Housing



## Technical Specifications

<b>Display</b>	15.6" Medical Grade FHD LED Panel 1920x1080, 500 Nits
<b>CPU Support</b>	6th/7th Generation Intel Core i5/i7 Processors
<b>Memory</b>	2x DDR4 2400MHz SO-DIMM sockets, populated up to 32GB
<b>Operating System</b>	Windows 10, Windows IoT, Windows 8.1 (6th Gen only), Windows 7 (6th Gen only), Linux
<b>Video &amp; Graphics</b>	Intel HD Graphics
<b>Touch Screen</b>	PCAP Multi-Touch with Optional Antiglare Technology
<b>Networking</b>	2x Gigabit (Gbe) LAN
<b>Wireless</b>	Intel Dual Band Wireless 802.11 a/b/g/n/ac + Bluetooth 5.1
<b>Expansion Slots</b>	1x mPCIe Half-size slot 1x M.2 E key short slot for PCIe or USB interface
<b>HDD Support</b>	1x 6Gbps Serial ATA III Port
<b>TPM</b>	Version 2.0 Standard. Optional: Version 1.2
<b>Colors</b>	White with Antimicrobial Germ Protection
<b>Power Supply</b>	120W Medical Grade Power Supply. Input: Universal 100~240V AC, 50-60Hz. Supports Output Range: DC19V. 6.32A Adapters.
<b>Relative Humidity</b>	10%~90% (non-condensing)
<b>Waterproof</b>	IP65 Sealed Front Bezel and IPX1 Back Cover



## Mechanical & Environmental

<b>Dimensions</b>	14.85" x 9.85" x 1.75" (L,W,D)
<b>Weight</b>	6.6 lbs without base stand
<b>Wall Mount</b>	Supports 75mm & 100mm VESA mounting holes
<b>Environment</b>	Ambient Temperature: 0°C~40°C (operating)
<b>Certifications</b>	UL60601-1, cUL60601-1, IEC60601-1, EN60601-1, UL60950 electrical safety, FCC class B, CE, Energy Star, RoHS, WEEE

## Input/Output

<b>I/O Ports</b>	4x USB 3.0 ports 1x RS232/422/485 1x HDMI-In 1x HDMI-Out
<b>Audio</b>	Realtek ALC892 High Definition Audio. One built-in 2.0 watt speakers with two audio jacks for Audio Line Out, and Microphone.

## Optional Features

- 5 Megapixel Webcam
- Smart Card Reader
- HIPAA Compliant Privacy Filter
- Internal UPS Battery
- Antimicrobial Base Stand
- Integrated Imprivata SSO
- Certified RFID Reader
- Extended Warranties

