

# Industrial Box Thin Client

## BTC22-\*

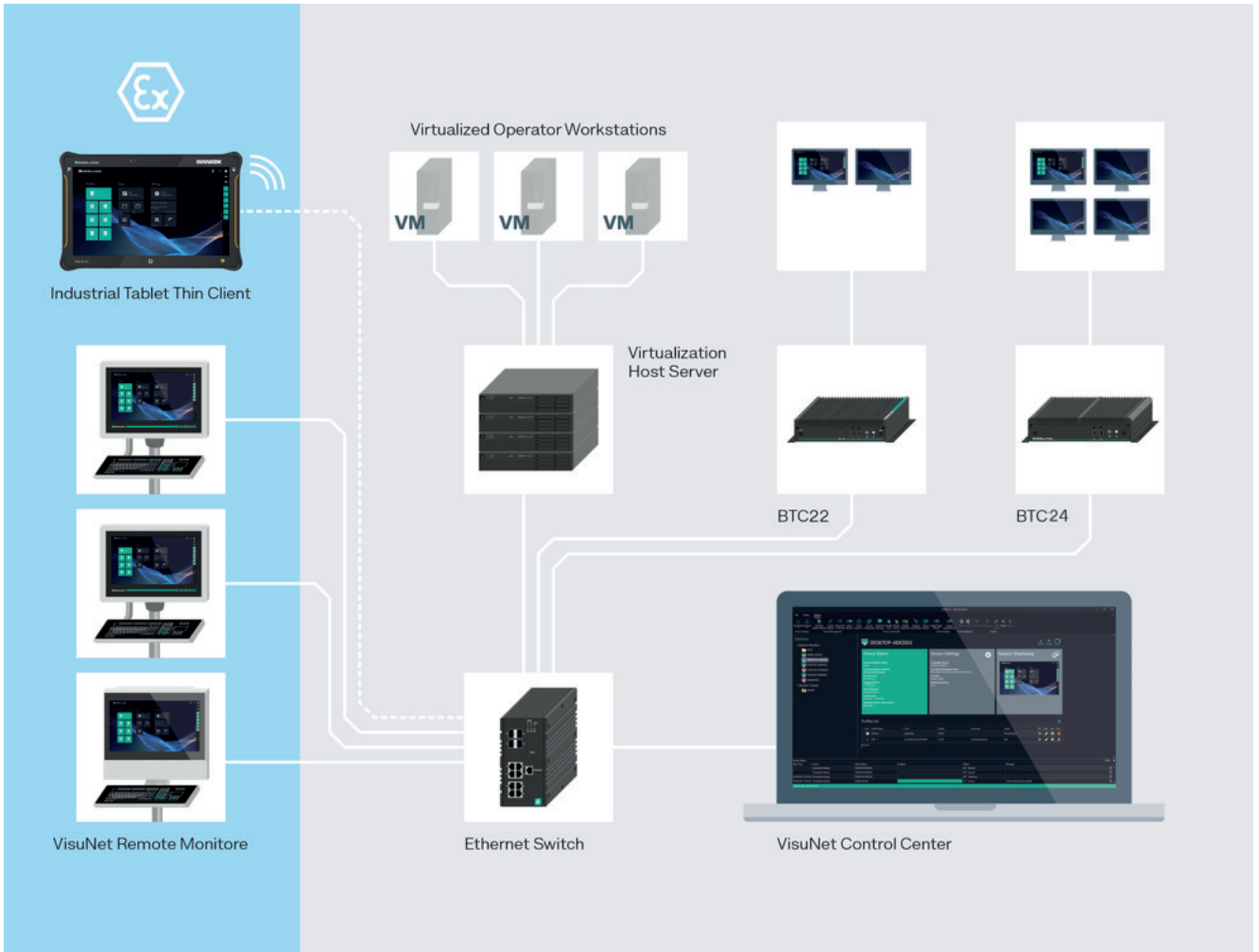


- Industrial-grade box thin client for 24/7 operation
- Long-term support with product availability for more than 5 years
- Supports up to two modern Ultra HD (4K) monitors with 60 Hz
- Compact footprint

### Industrial Box Thin Client



### Function Principle



Release date: 2024-07-16 Date of issue: 2024-07-16 Filename: t212985\_eng.pdf

Refer to "General Notes Relating to Pepperl+Fuchs Product Information".

Pepperl+Fuchs Group  
www.pepperl-fuchs.com

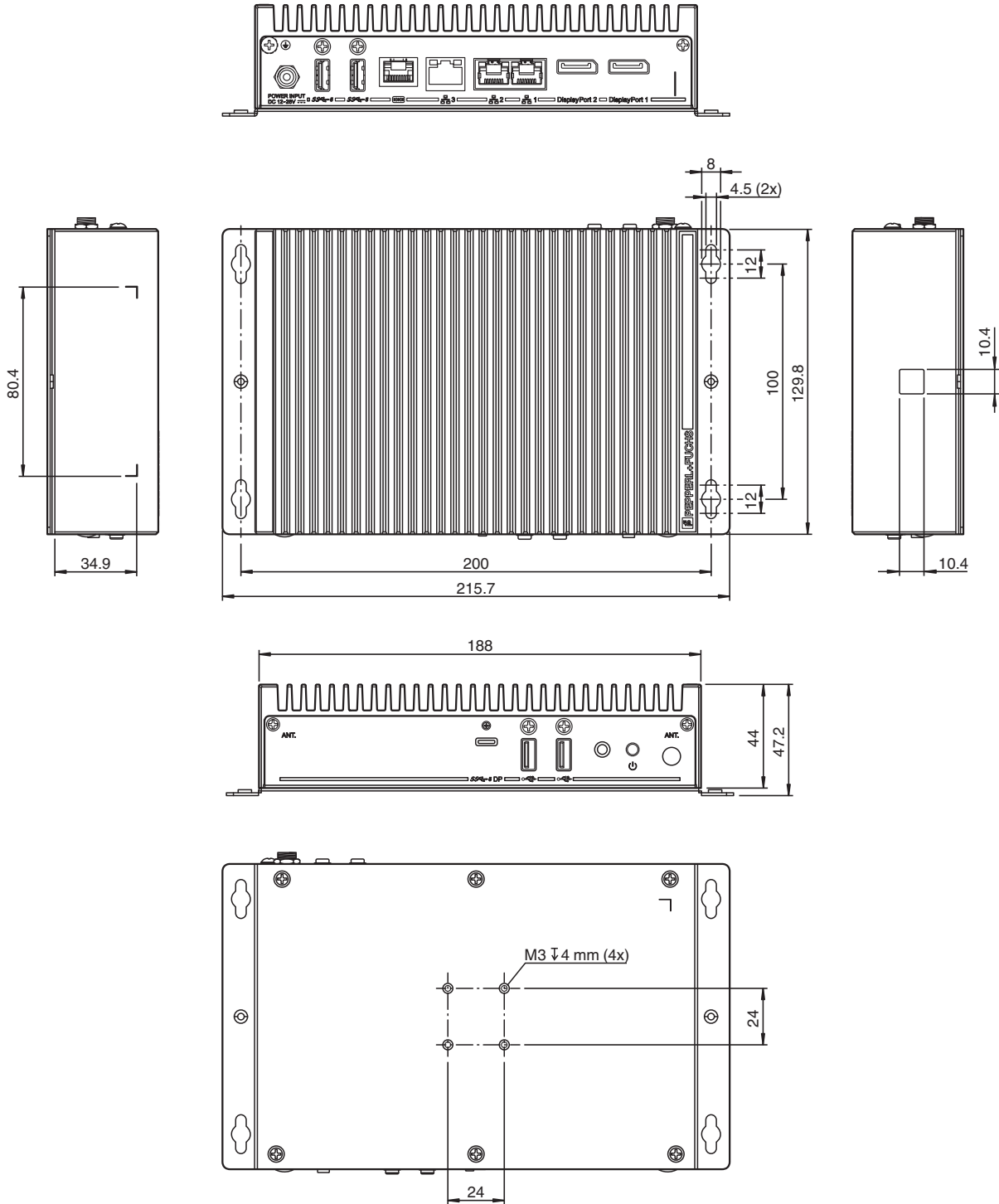
USA: +1 330 486 0002  
pa-info@us.pepperl-fuchs.com

Germany: +49 621 776 2222  
pa-info@de.pepperl-fuchs.com

Singapore: +65 6779 9091  
pa-info@sg.pepperl-fuchs.com

PEPPERL+FUCHS

**Dimensions**



**Technical Data**

<b>Hardware</b>	
Processor	Intel Atom x6413E
RAM	8 GB DDR4
Mass storage	64 GByte eMMC TLC
<b>Supply</b>	
Power supply	Input voltage: 12 ... 28 V DC Input current: 1 A - 2 A Input via 2.5 mm power socket
<b>Interface</b>	

Release date: 2024-07-16 Date of issue: 2024-07-16 Filename: t212985\_eng.pdf

Refer to "General Notes Relating to Pepperl+Fuchs Product Information".

**Technical Data**

Interface type	<b>Front side:</b> 1x USB 3.2 Gen 1 w/ DP alt mode, Type C 2x USB 2.0 Type A, power button, audio line out  <b>Back side:</b> 3x 1000Base-T Ethernet, 2x DisplayPort 1.4, 1x DC (DC jack 5.5 x 2.5 mm with lock mechanism), 2x USB 3.2 Gen 1 Type A, 1x RS-232/RS-485 with RJ45 connector	
<b>Directive conformity</b>		
Electromagnetic compatibility		
Directive 2014/30/EU		EN 61326-1:2013 EN 55032:2015, AC:2016 EN 55035:2017
RoHS		
Directive 2011/65/EU (RoHS)		EN 50581:2012-09
<b>Software</b>		
Operating system		RM Shell 6.x based on Windows 10 IoT Enterprise LTSC 2021 <b>Optional:</b> J-: IGEL OS 12 (based on Linux, pre-installed without licence)
<b>Ambient conditions</b>		
Operating temperature		0 ... 55 °C (32 ... 131 °F)
Storage temperature		-20 ... 60 °C (-4 ... 140 °F)
Relative humidity		≤ 95 % at 60 °C (non-condensing acc. to EN 60068-2-78)
Shock resistance		40 g (11 ms) when operating 80 g (11 ms) when not operating
Vibration resistance		3 g <sub>rms</sub> 5 ... 500 Hz
<b>Mechanical specifications</b>		
Degree of protection		IP40
Mass		1.32 kg
Dimensions		216 mm x 130 mm x 47 mm
Mounting		Desktop or wall mounting, VESA mount (100 x 100 mm and 75 x 75 mm) and DIN-rail mounting via optional adapter
Note		passive cooling , no moving parts <b>Power supply not included.</b>
<b>International approvals</b>		
UL approval		"UL Listed" for Canada and USA, E223772 (Ordinary Location)
Approved for		CE (EN61326-1/ EN55032/ EN55035 Class A) FCC Class B and ICES-003 Issue 7

**Type Code**

<b>BTC22-*</b>							
<b>BTC22-</b>	<b>(1)</b>	<b>(2)-</b>	<b>(3)</b>	<b>(4)</b>	<b>(5)</b>	<b>(6)-</b>	<b>(7)</b>
<b>Model</b>							
BTC22-	Box Thin Client						
<b>(1) Certification</b>							
N	CE & FCC + UL Ordinary Location						
<b>(2)- Operating Temperature</b>							
A-	Standard Operating Temperature Range 0 ... 55 °C						
B-	Extended Operating Temperature Range -20 ... 60 °C						
<b>(3) CPU</b>							
1	Intel® Atom x6413E						
<b>(4) RAM</b>							
B	8 GB for Standard Temperature Range						
L	8 GB for Extended Temperature Range						

Release date: 2024-07-16 Date of issue: 2024-07-16 Filename: 1212985\_eng.pdf

Refer to "General Notes Relating to Pepperl+Fuchs Product Information".

## Type Code

(5)	Storage
N	None
A	64-GB eMMC

(6)-	Operating System
N-	None
1-	VisuNet RM Shell 6
J-	IGEL OS 12 (based on Linux)

(7)	Expansions
NN0	None

Example:

BTC22-	N	A-	1	B	A	1-	NN0
--------	---	----	---	---	---	----	-----

## Accessories

Accessories for this product can be found on the internet at [www.pepperl-fuchs.com](http://www.pepperl-fuchs.com).